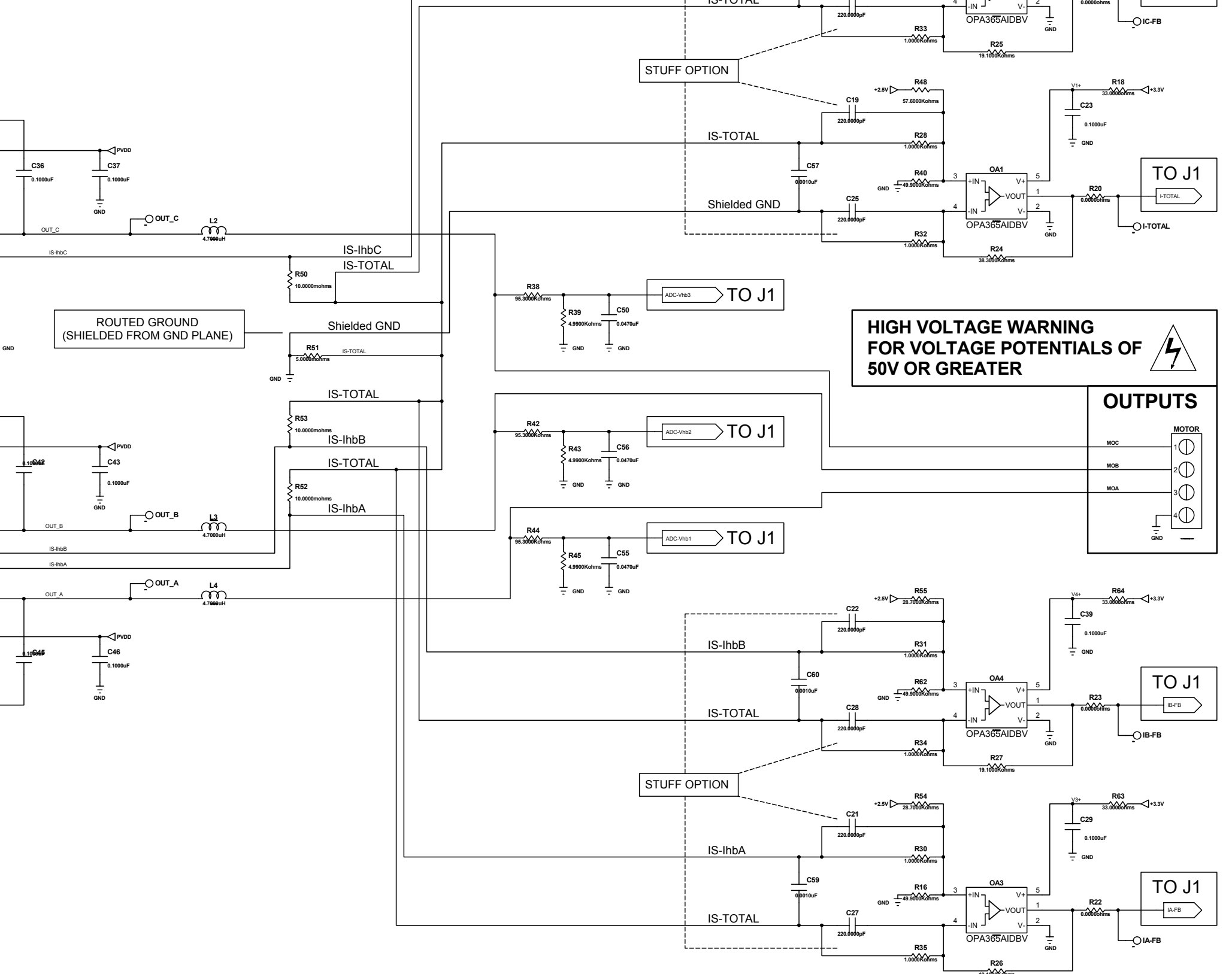
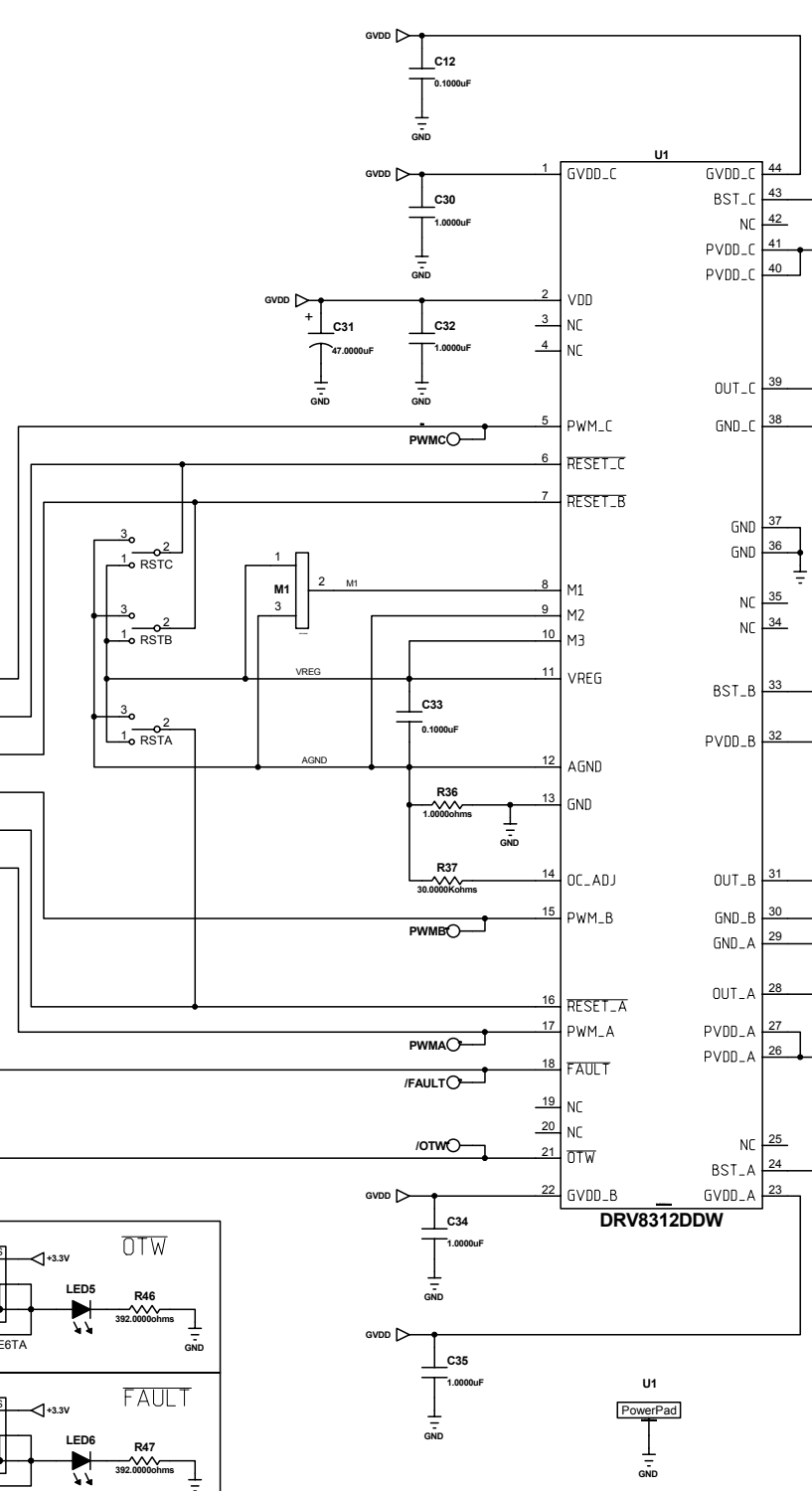
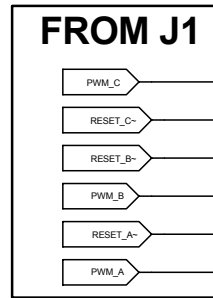
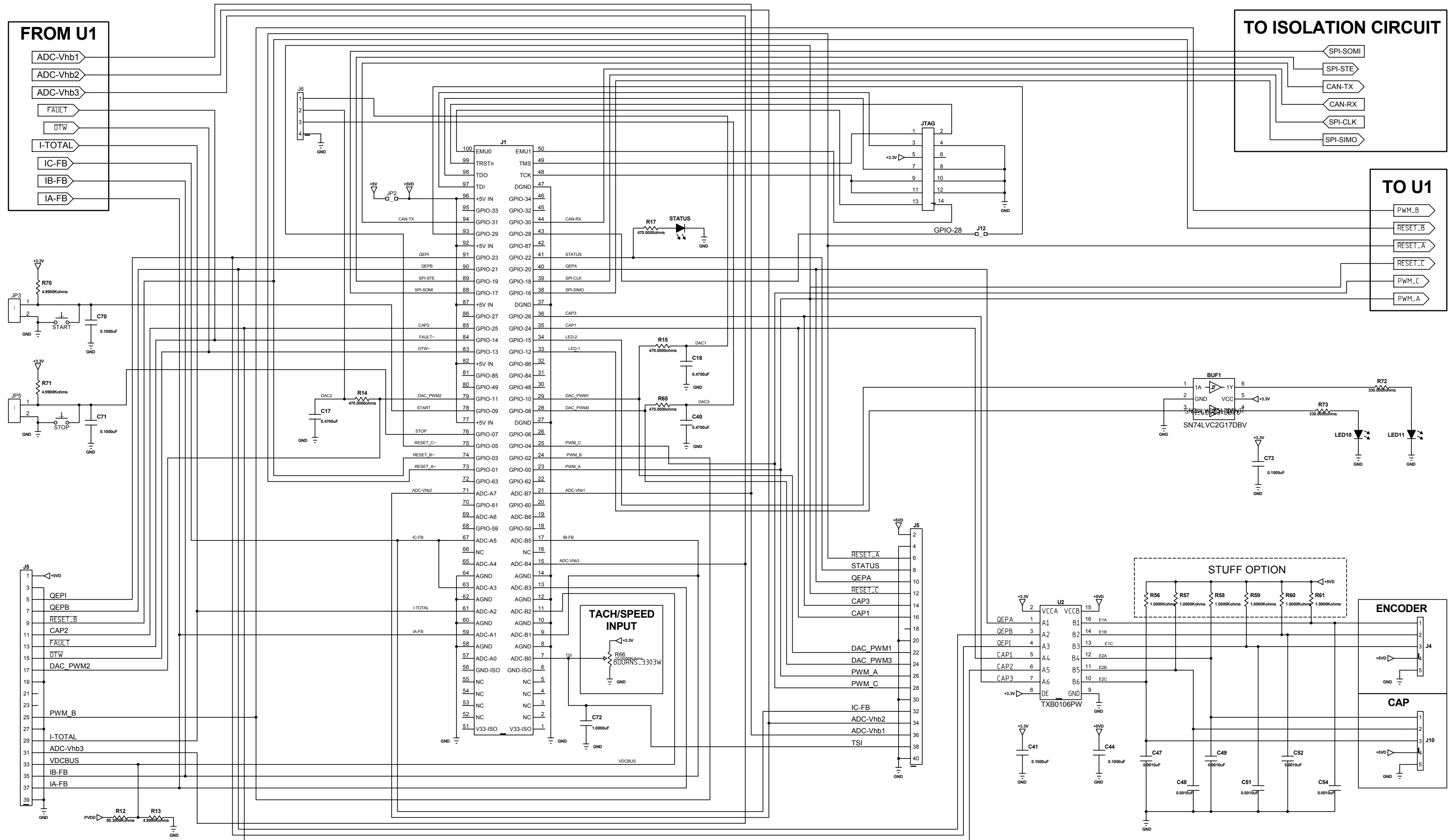


DRV8312 EVALUATION BOARD



DRV8312 EVALUATION BOARD



FROM U1

- ADC-Vhb1
- ADC-Vhb2
- ADC-Vhb3
- FAULT
- OTW
- I-TOTAL
- IC-FB
- IB-FB
- IA-FB

TO ISOLATION CIRCUIT

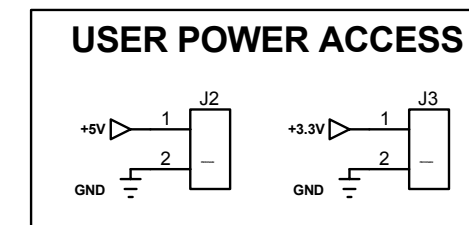
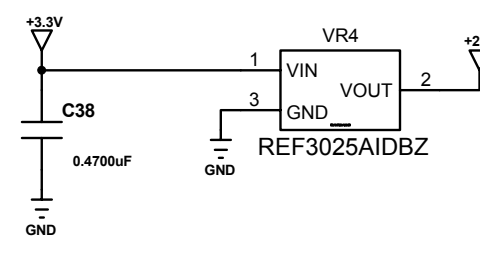
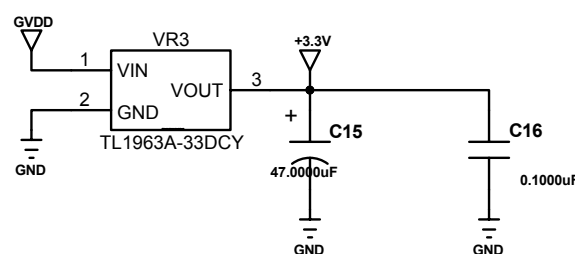
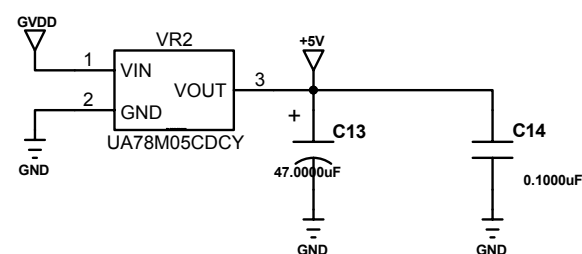
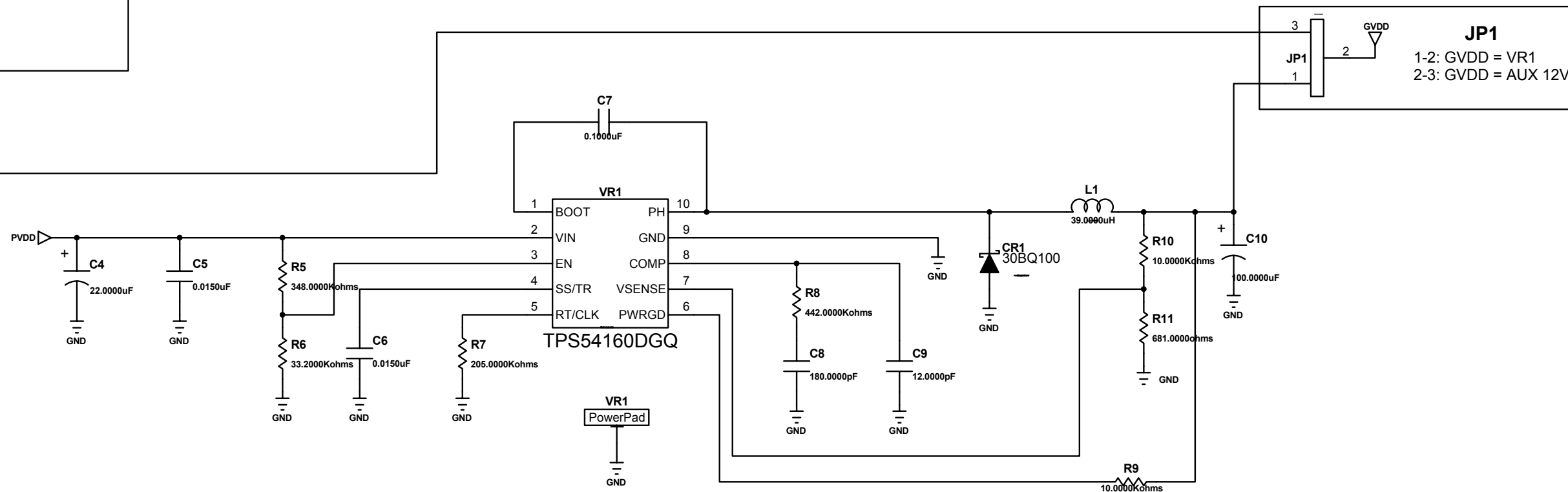
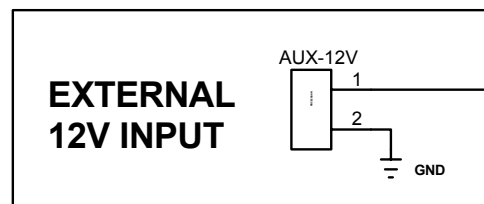
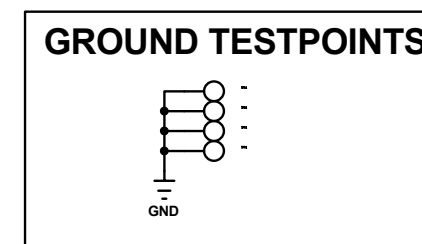
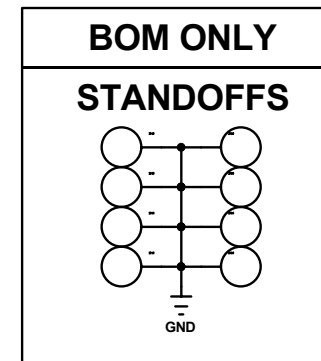
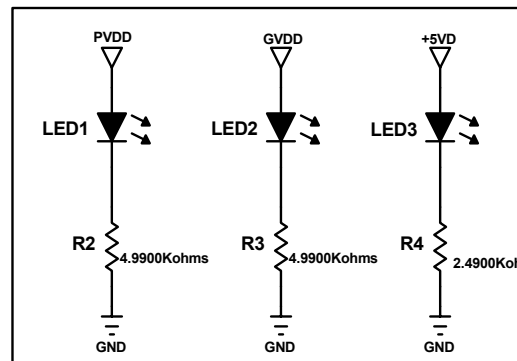
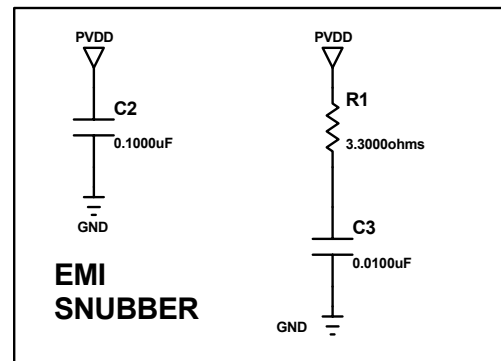
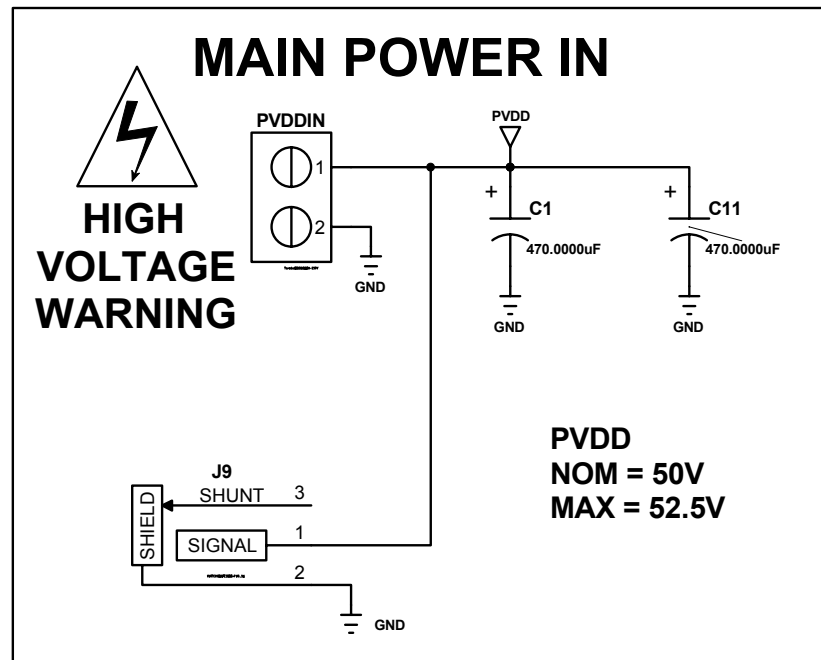
- SPI-SOMI
- SPI-STE
- CAN-TX
- CAN-RX
- SPI-CLK
- SPI-SIMO

TO U1

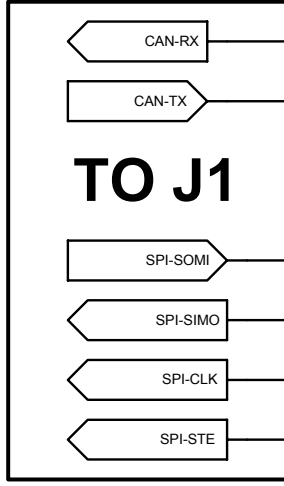
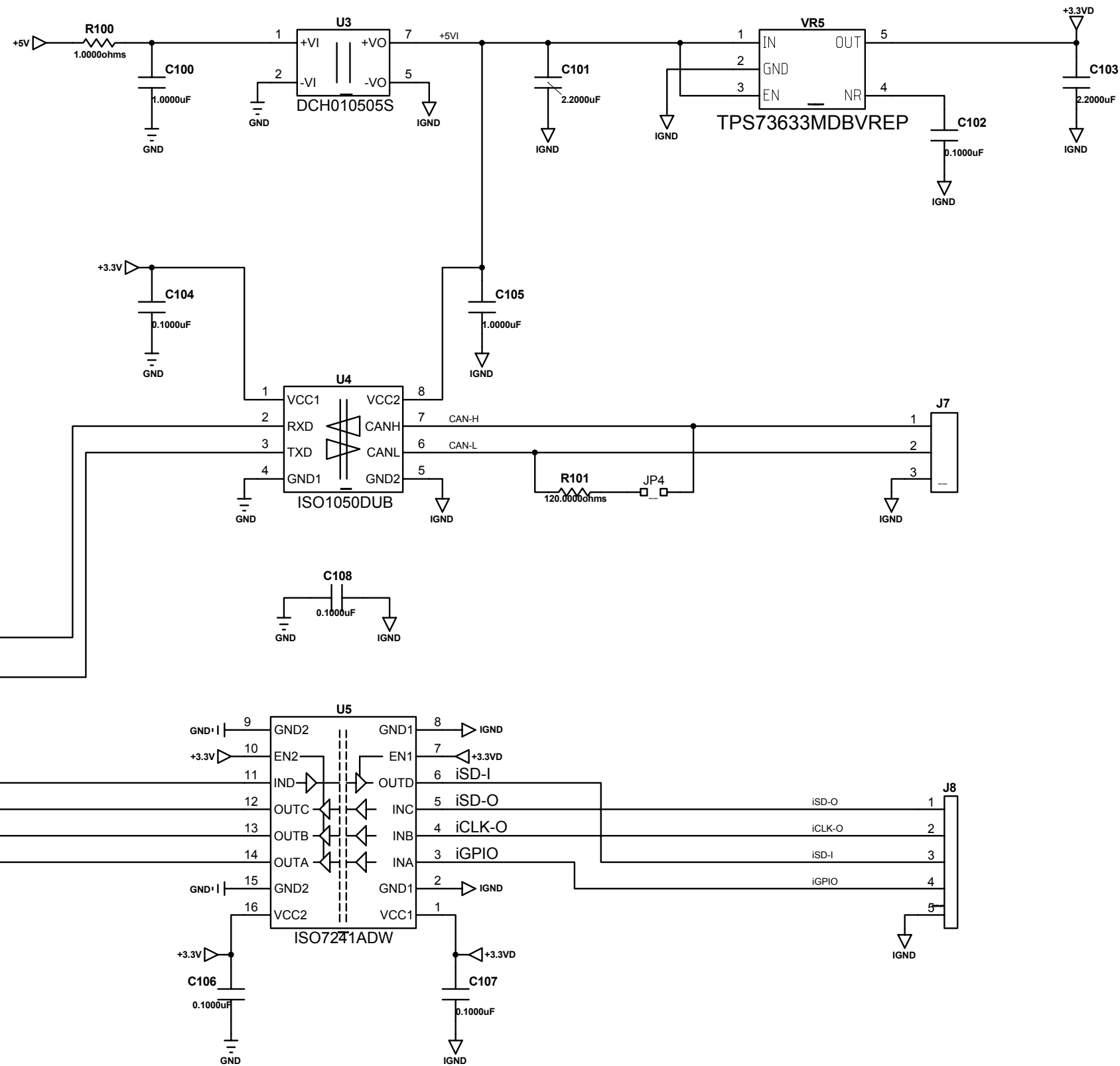
- PWM_B
- RESET_B
- RESET_A
- RESET_C
- PWM_C
- PWM_A



DRV8312 EVALUATION BOARD



DRV8312 EVALUATION BOARD



SCH REV	C
PCB REV	D
SHEET	4 OF 6
DRAWN BY	LDN

DRV8312 EVALUATION BOARD

REVISION HISTORY

REVISION	DESCRIPTION	DATE	APPROVAL
A	INITIAL RELEASE	MAY 4, 2010	ML
B	<ol style="list-style-type: none"> 1. DELETED OUTA, OUTB, OUTC. 2. ADDED OUTPUT CONNECTOR, TITLED MOTOR. 3. CONNECTED L2-2, L3-2 AND L4-2 TO MOTOR-1,2 AND 3, RESPECTIVELY. 4. DELETED PVDD, GND, +12V AND GND(GND2). 5. ADDED POWER CONNECTOR, VIN. 6. CONNECTED VIN-4 TO C1-1. 7. CONNECTED VIN-2,3 TO GND. 8. CONNECTED VIN-1 TO +12V. 9. ADDED TESTPOINTS TO IA-FB, IB-FB, IC-FB AND I-TOTAL. 10. ADDED 2 PIN HEADERS J2 AND J3 FOR USER POWER ACCESS. 11. CONNECTED J2-1,2 TO +5V AND GND. 12. CONNECTED J3-1,2 TO +3.3V AND GND. 13. COMBINED ENCODER AND CAP INTO ONE 2x5 HEADER, TITLED J4. 14. ADDED 3 PIN HEADER, JP3, LABELED TACH/SPEED INPUT. 15. CONNECTED JP3-1,2,3 TO +3.3V, J1-7 AND GND, RESPECTIVELY. 16. RENAMED S1 TO RSTA. 17. SWAPPED U1-29 AND U1-30. 18. ADDED 40 PIN HEADER, J5 AND CONNECTED PINS TO ACTIVE PINS OF J1. 19. ADDED SWITCHES, S1 AND S2 TO U1-76 AND U1-78. 20. COPIED DAC1 CIRCUIT, CALLED DAC3, AND CONNECTED TO J1-28. 21. CHANGED R24-R27 TO 33.0K OHMS. 22. CHANGED R28-R35, R56-R61 TO 1.00K OHMS. 23. CHANGED R48, R49, R54 AND R55 TO 49.9K OHMS. 24. ADDED ISOLATION CIRCUITS. 25. ADDED 12V CONNECTOR, J9. 26. CHANGED C4 TO 22UFD/100V. 27. CHANGED C5 AND C6 TO 100V. 	MARCH 23, 2011	RK

TI

TEXAS INSTRUMENTS DISCLAIMER

The information and materials ("Materials") provided here are provided by Texas Instruments Incorporated ("TI") as a service to its customers and/or suppliers, and may be used for informational purposes only, and only subject to the following terms. By downloading or viewing these Materials, you are signifying your assent to these terms.

- 1.) These preliminary evaluation schematics are intended for use for PRELIMINARY ENGINEERING DEVELOPMENT AND EVALUATION PURPOSES ONLY and are not considered by Texas Instruments to be fit as a basis for establishing production products or systems. This information may be incomplete in several respects, including but not limited to information relating to required design, marketing, and/or manufacturing-related protective considerations and product safety measures typically found in the end-product incorporating the goods.
- 2.) Accordingly, neither TI nor its suppliers warrant the accuracy or completeness of the information, text, graphics, links or other items contained within the Materials. TI may make changes to the Materials, or to the products described therein, at any time without notice. TI makes no commitment to update the Materials.
- 3.) TI assumes no liability for applications assistance, customer product design, software performance, or services that may be described or referenced in the Materials. The user assumes all responsibility and liability for proper and safe design and handling of goods. Accordingly, the user indemnifies TI from all claims arising from its use of the Materials.
- 4.) TI currently deals with various customers for products, and therefore our arrangement with the user will not be exclusive. TI makes no representations regarding the commercial availability of non-TI components that may be referenced in the Materials.
- 5.) No license is granted under any patent right or other intellectual property right of TI covering or relating to any combination, machine, or process in which such TI products or services might be or are used. Except as expressly provided herein, TI and its suppliers do not grant any express or implied right to you under any patents, copyrights, trademarks, or trade secret information.
- 6.) Performance tests and ratings, to the extent referenced in the Materials, are measured using specific computer systems and/or components and reflect the approximate performance of TI products as measured by those tests. Any difference in system hardware or software design or configuration may affect actual performance. Buyers should consult other sources of information to evaluate the performance of systems or components they are considering purchasing.
- 7.) Resale of TI's products or services with statements different from or beyond the parameters stated by TI for that product or service in official TI data books or data sheets voids all express and any implied warranties for the associated TI product or service, and is an unfair and deceptive business practice, and TI is not responsible for any such use.
- 8.) The Materials are copyrighted and any unauthorized use may violate copyright, trademark, and other laws. You may only download one copy for your internal use only, unless you are specifically licensed to do otherwise by TI in writing. This is a license, not a transfer of title, and is subject to the following restrictions: You may not:
 - (a) modify the Materials (including any associated warranties, conditions, limitations or notices) or use them for any commercial purpose, or any public display, performance, sale or rental;
 - (b) decompile, reverse engineer, or disassemble software Materials except and only to the extent permitted by applicable law;
 - (c) remove any copyright or other proprietary notices from the Materials;
 - (d) transfer the Materials to another person. You agree to prevent any unauthorized copying of the Materials. TI may terminate this license at any time if you are in breach of the terms of this Agreement. Upon termination, you will immediately destroy the Materials.
- 9.) THE MATERIALS ARE PROVIDED "AS IS" WITHOUT ANY EXPRESS OR IMPLIED WARRANTY OF ANY KIND INCLUDING WARRANTIES OF MERCHANTABILITY, NONINFRINGEMENT OF INTELLECTUAL PROPERTY, OR FITNESS FOR ANY PARTICULAR PURPOSE. IN NO EVENT SHALL TI OR ITS SUPPLIERS BE LIABLE FOR ANY DAMAGES WHATSOEVER (INCLUDING, WITHOUT LIMITATION, DAMAGES FOR LOSS OF PROFITS, BUSINESS INTERRUPTION, LOSS OF INFORMATION) ARISING OUT OF THE USE OF OR INABILITY TO USE THE MATERIALS, EVEN IF TI HAS BEEN ADVISED OF THE POSSIBILITY OF SUCH DAMAGES.

TI