


Notes - Unless otherwise noted

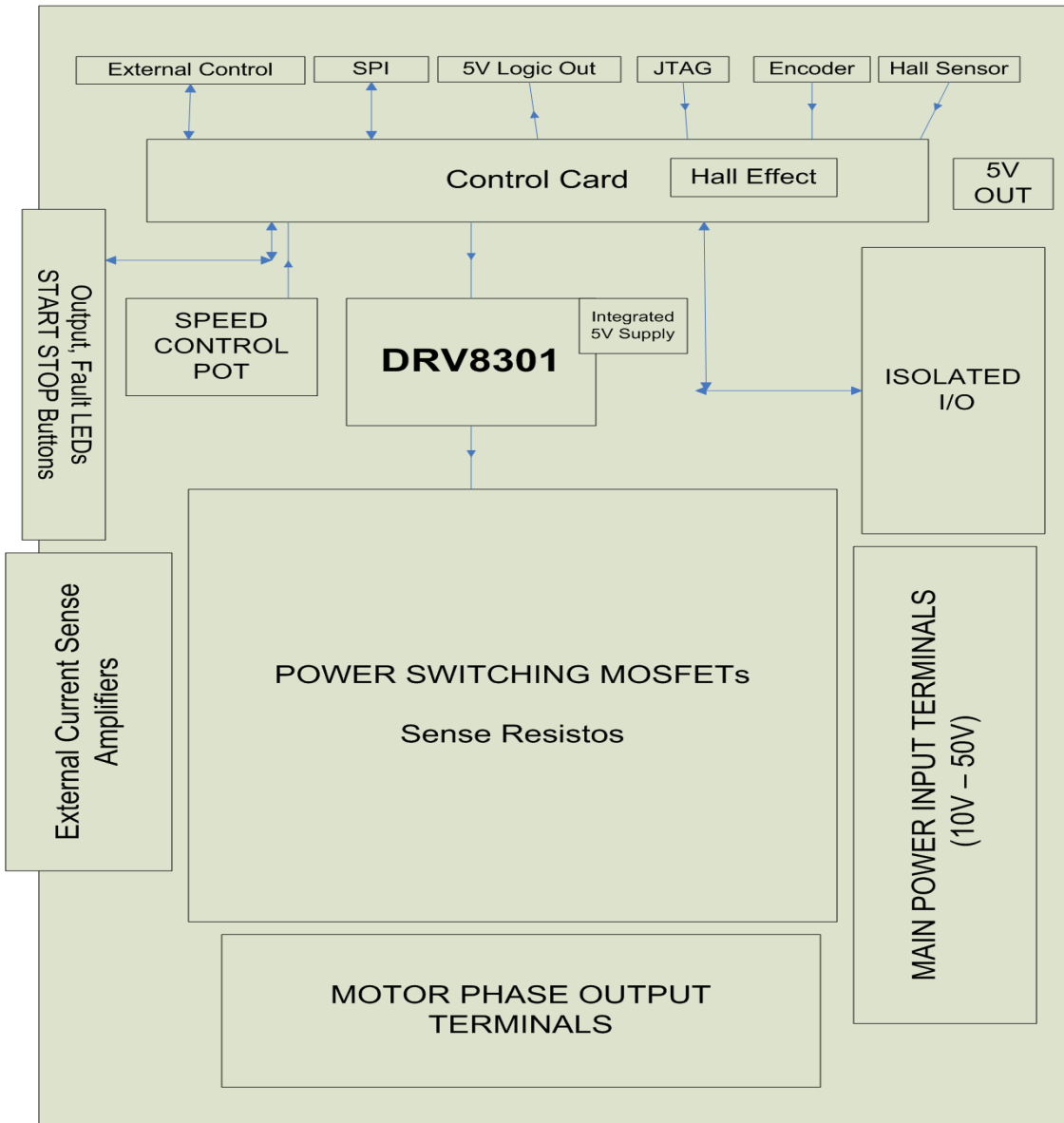
1. Resistances values in Ohms
2. Capacitance values in microfarads (uF)
3. All 0.1uF and 0.01uF capacitors are decoupling and should be placed near the IC they are shown with.

REVISION HISTORY			
REV	DESCRIPTION	DATE	ENG
A1	INITIAL SCHEMATIC	04-08-2011	AIY
A2	REMOVED ANALOG SWITCHES CHANGED FEEDBACK	05-12-2011	AKS
A3	CHANGED THE SIZE OF THE SENSE RESISTORS ADDED PULL-UP/PULL-DOWN ON SPI LINES REMOVED 0-OHM RESISTORS ON CURRENT SENSE	05-25-2011	AKS
B1	FIXED DRV8301 CURRENT SENSE POLARITY NO-POP ALL EXTERNAL CURRENT SENSE COMPONENTS CHANGED C14 TO 25V 0805 PACKAGE FETS CHANGED TO VISHAY SUM110N06-3M9H CHANGED CURRENT SENSE RESISTORS TO 2mOHM RECONFIGURED DC BUS CAPS SPLIT POWER CONNECTOR INTO TWO CONNECTORS	07-14-2011	JPW
C1	LAYOUT CHANGES TO IMPROVE GROUND CONNECTIONS FOR DE-COUPLING CAPACITORS C10, C14, C72 CREATED BOM VARIANT FOR DRV8302 CHANGED R12, R13, R21 TO 1K CHANGED R43, R47 TO 1K (DRV8302 ONLY)	08-12-2011	AKS
D1	POPULATED EXTERNAL GAIN OP-AMPS AND CHANGED CONNECTIONS FOR THESE TO DAUGHTER CARD	01-18-2012	

- Page 1 - Title - Index - Revisions
- Page 2 - Block Diagram
- Page 3 - DRV8301/DRV8302
- Page 4 - Isolation Circuitry
- Page 5 - DIMM Socket - Connectors - Switches
- Page 6 - Power Input - Voltage Regulators - Current Sense Amplifiers
- Page 7 - Half Bridges - Motor Output

	D3 Engineering 1057 E Henrietta Rd Rochester, NY 14623 p. (585) 429-1550 f. (585) 429-1551 www.d3engineering.com		
	D3 Engineering - TI - DRV8301/DRV8302 EVM - High Current		
Title - Index - Revisions			
www.D3Engineering.com	Size 3V6D5	CAGE Code 3V6D5	DWG NO <Doc>
Friday, January 20, 2012	Scale	Sheet 1	Rev D1 of 7

DRV8301 EVM Block Diagram



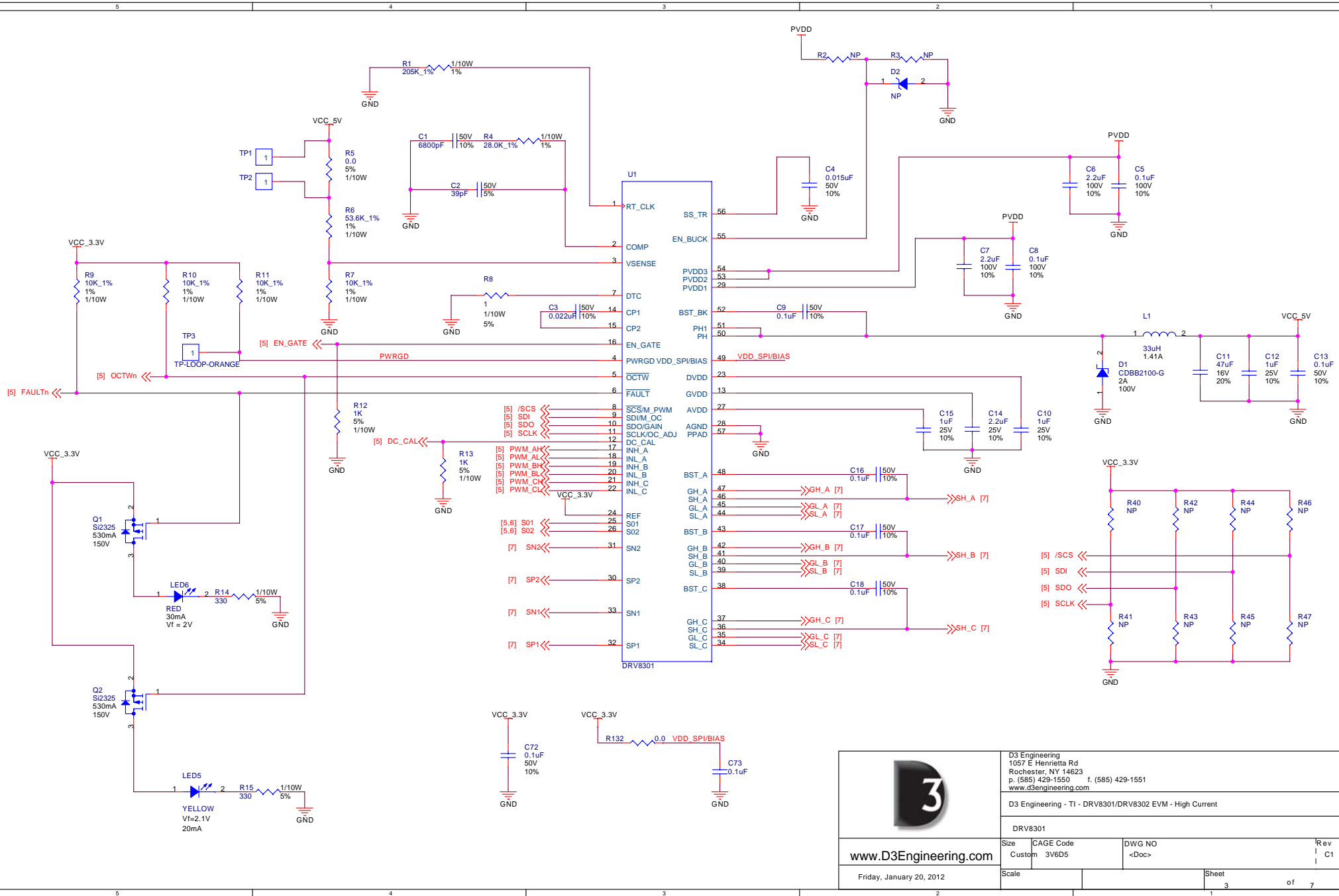
D3 Engineering
 1057 E Henrietta Rd
 Rochester, NY 14623
 p. (585) 429-1550 f. (585) 429-1551
www.d3engineering.com

D3 Engineering - TI - DRV8301/DRV8302 EVM - High Current

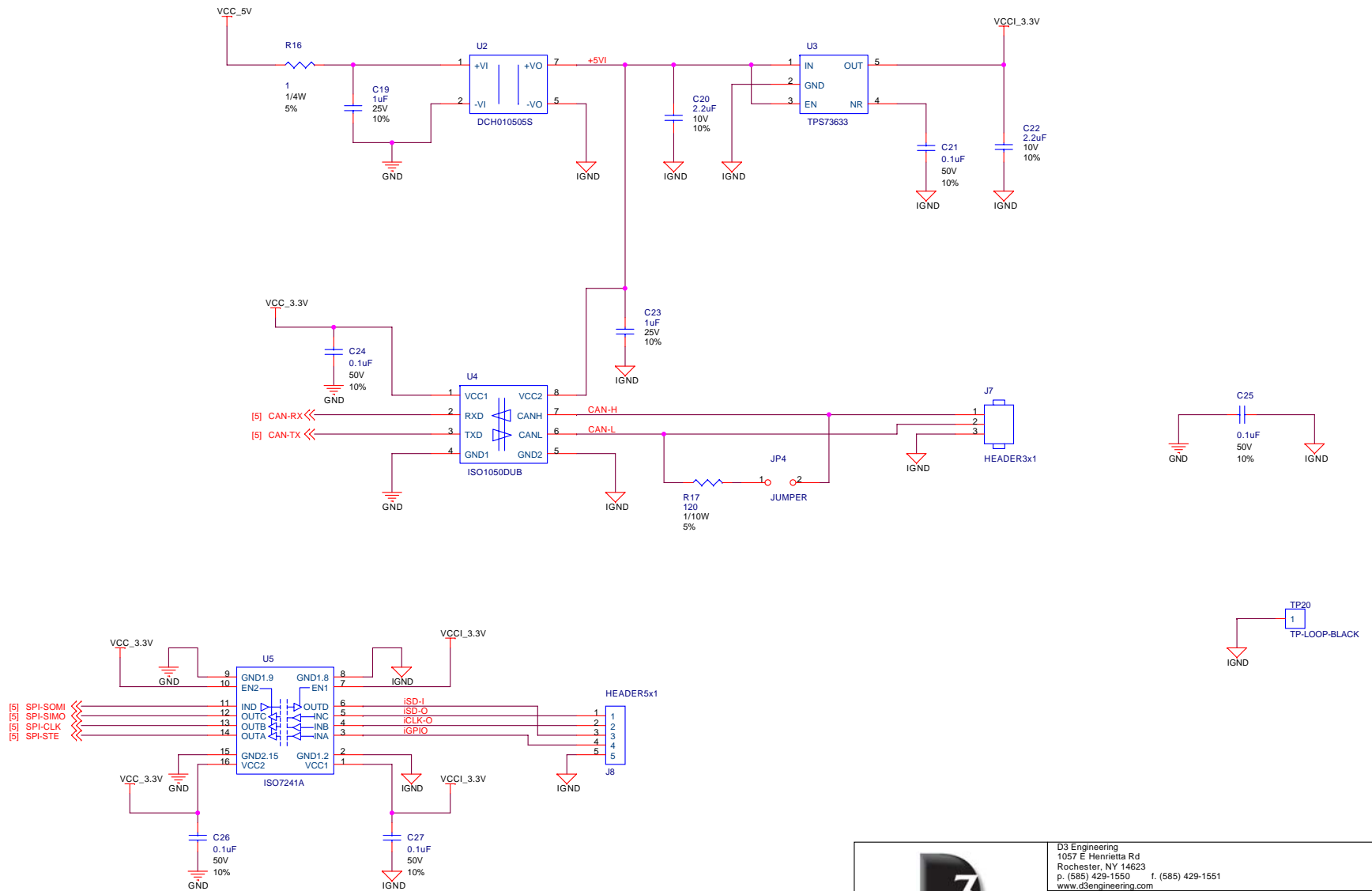
Block Diagram

www.D3Engineering.com

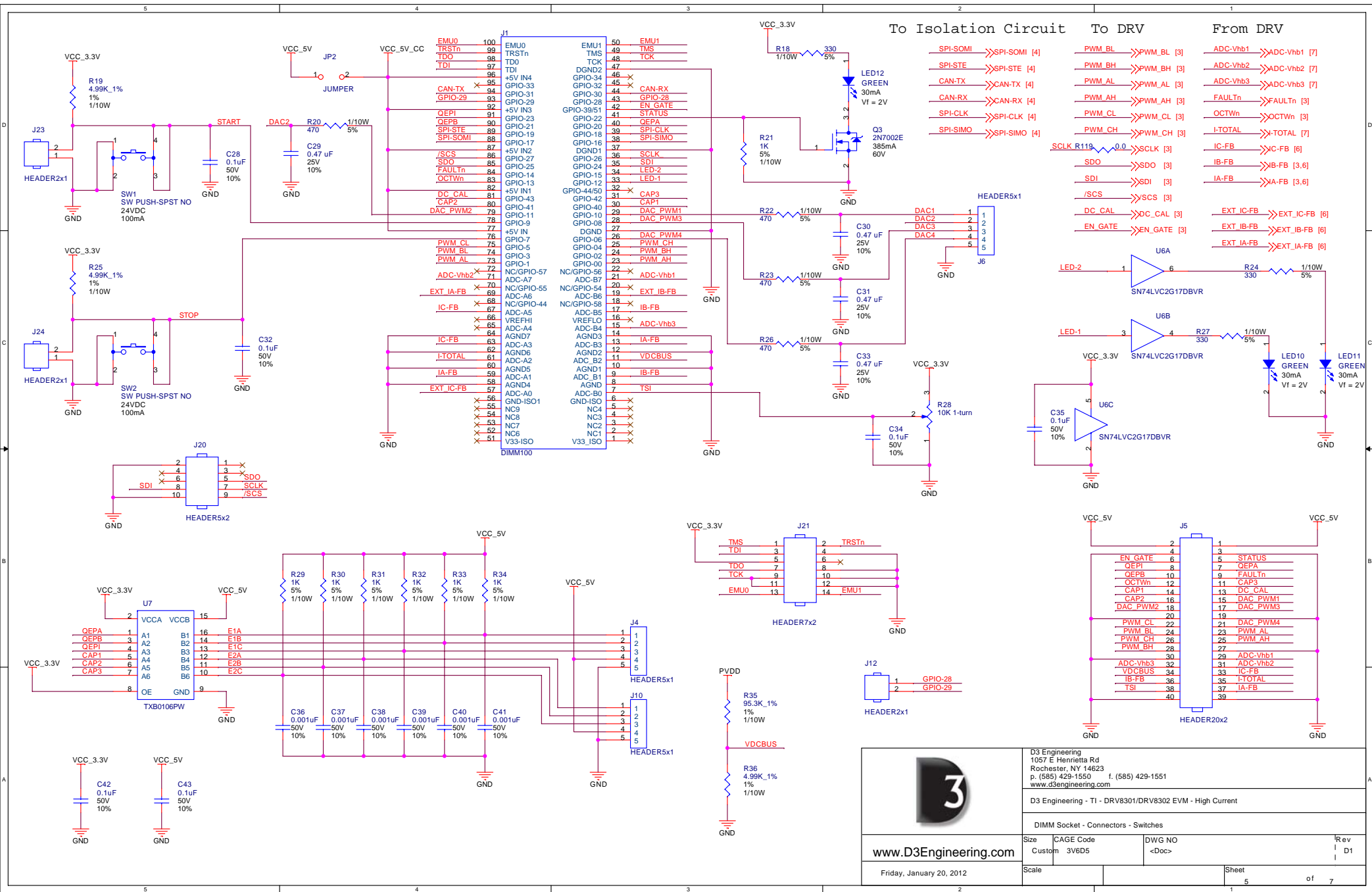
Size Custom	CAGE Code 3V6D5	DWG NO <Doc>	Rev I C1
Friday, January 20, 2012	Scale	Sheet 2	of 7



	D3 Engineering 1057 E Henrietta Rd Rochester, NY 14623 p. (585) 429-1550 f. (585) 429-1551 www.d3engineering.com		
	D3 Engineering - TI - DRV8301/DRV8302 EVM - High Current		
DRV8301			
www.D3Engineering.com		Size Custom CAGE Code 3V6D5	DWG NO <Doc>
Friday, January 20, 2012		Scale	Sheet 3 of 7



	D3 Engineering 1057 E Henrietta Rd Rochester, NY 14623 p. (585) 429-1550 f. (585) 429-1551 www.d3engineering.com		
	D3 Engineering - TI - DRV8301/DRV8302 EVM - High Current		
Isolation Circuitry			
www.D3Engineering.com		Size Custom CAGE Code 3V6D5	DWG NO <Doc> Rev I C1
Friday, January 20, 2012		Scale	Sheet 4 of 7



D3 Engineering
1057 E Henrietta Rd
Rochester, NY 14623
p. (585) 429-1550 f. (585) 429-1551
www.d3engineering.com

D3 Engineering - TI - DRV8301/DRV8302 EVM - High Current

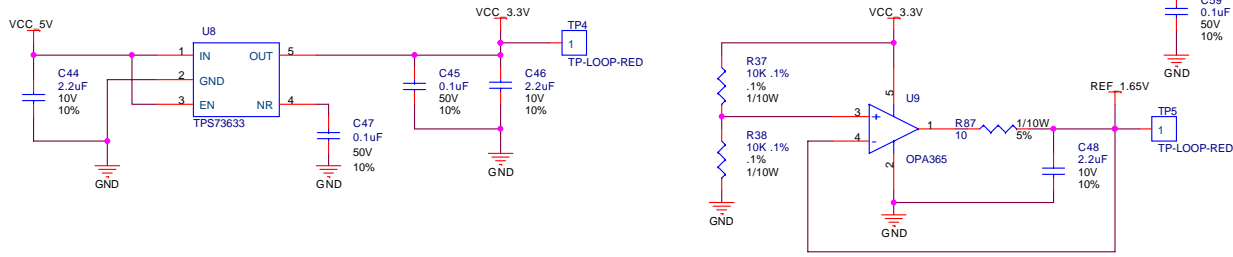
DIMM Socket - Connectors - Switches

Size	CAGE Code	DWG NO	Rev
Custom	3V6D5	<Doc>	I D1

Friday, January 20, 2012

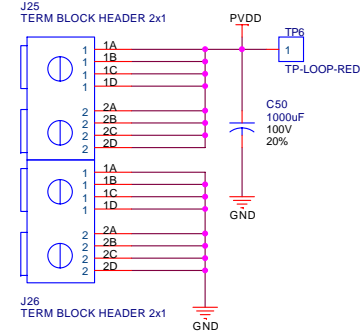
Scale	Sheet	of
	5	7

3.3V Voltage Regulator, 1.65V Reference Voltage

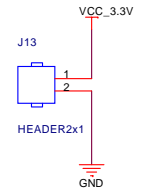


MAIN POWER IN

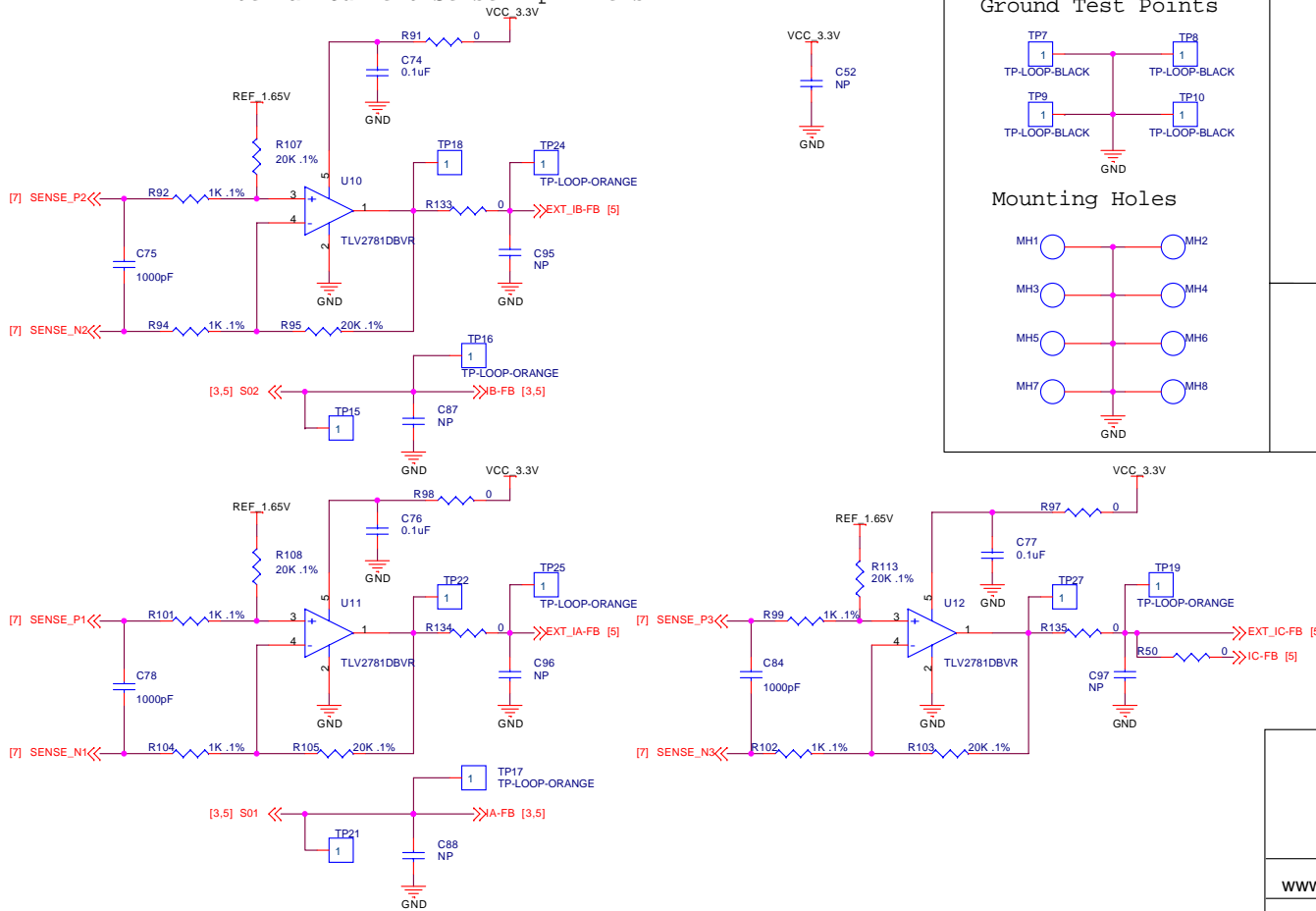
PVDD
 NOM = 48V
 MAX = 60V



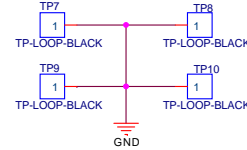
User Power Access



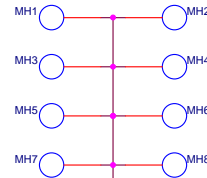
External Current Sense Amplifiers



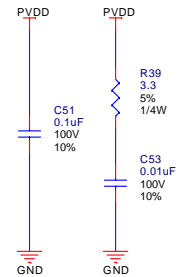
Ground Test Points



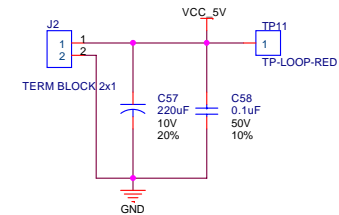
Mounting Holes



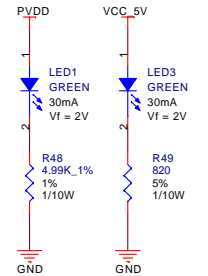
EMI Snubber



5V Output



Power Indicator LEDs



D3 Engineering
 1057 E Henrietta Rd
 Rochester, NY 14623
 p. (585) 429-1550 f. (585) 429-1551
 www.d3engineering.com

D3 Engineering - TI - DRV8301/DRV8302 EVM - High Current

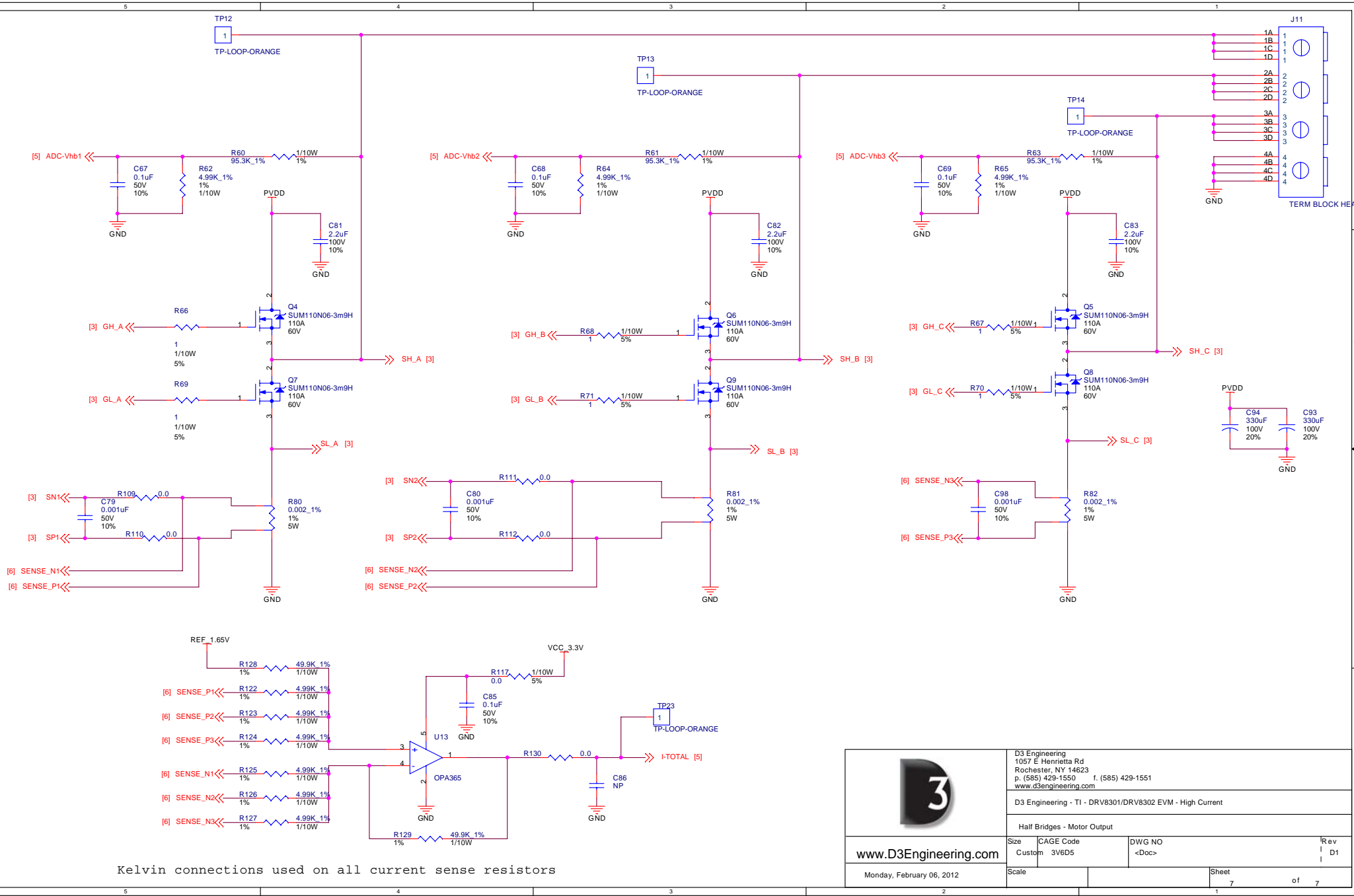
Power Input - Voltage Regulators - Current Sense Amplifiers

www.D3Engineering.com

Size	CAGE Code	DWG NO	Rev
Custom	3V6D5	<Doc>	I D1

Wednesday, February 15, 2012

Scale	Sheet	of
	6	7



Kelvin connections used on all current sense resistors

	D3 Engineering 1057 E Henrietta Rd Rochester, NY 14623 p. (585) 429-1550 f. (585) 429-1551 www.d3engineering.com		
	D3 Engineering - TI - DRV8301/DRV8302 EVM - High Current		
Half Bridges - Motor Output			
www.D3Engineering.com	Size Custom Scale	CAGE Code 3V6D5 DWG NO <Doc>	Rev I D1
Monday, February 06, 2012	Sheet 7 of 7		